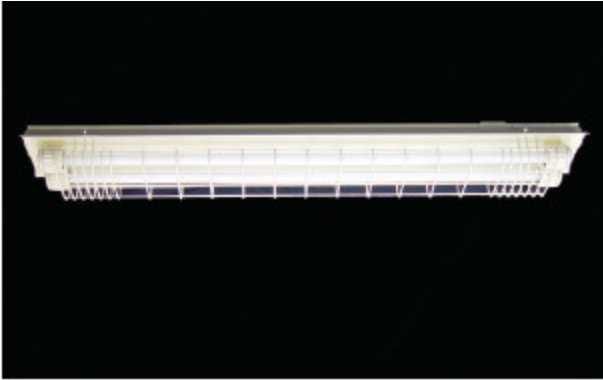
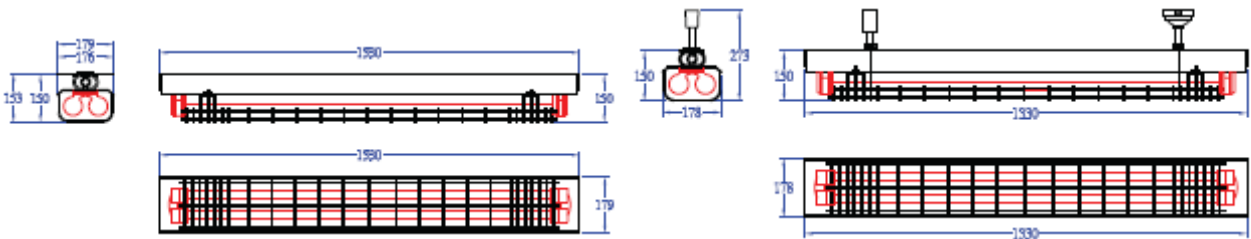


**Particular lighting series : lamps**  
**特殊照明燈具系列：防爆燈具**

©SEYC-1134



**Lighting frame dimensions (燈具尺寸示意圖):**



**Direction (說明):**

For lamps: T5 TL5 54W, 28W \*2

Material: **Mild steel sheet of 0.6mm thickness. The metalwork shall be rust inhibited to prevent corrosion.**  
**Sunshade is nebulized surface aluminum of 0.3mm thickness.**

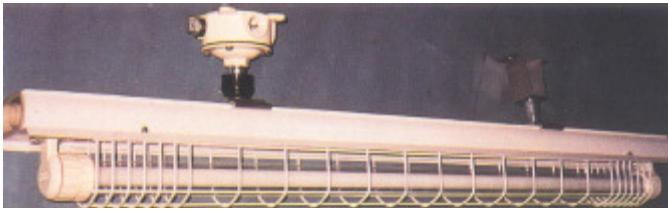
Application: **Officer, Meeting room, Building, Department shop, Library etc.**

Characteristic: **High efficiency light steel frame lighting.**

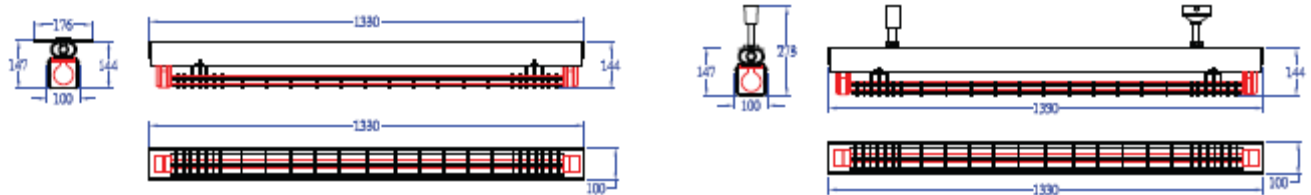
安裝方式	Type	For lamps	Ballast	Dimension (L×W×H)
完全吸頂	SEYC-1134	T5→TL5 54W×2	Electronic ballast	1330×179×153mm
吸頂或吊管	SEYC-1134	T5→TL5 28W×2	Electronic ballast	1330×178×273mm
完全吸頂	SEYC-1134	T5→TL5 54W×2	Electronic ballast	1330×179×153mm
吸頂或吊管	SEYC-1134	T5→TL5 28W×2	Electronic ballast	1330×178×273mm

**Particular lighting series : lamps**  
**特殊照明燈具系列：防爆燈具**

©SEYC-1135



**Lighting frame dimensions (燈具尺寸示意圖):**



**Direction (說明):**

For lamps: T5 TL5 54W, 28W \*1

Material: Mild steel sheet of 0.6mm thickness. The metalwork shall be rust inhibited to prevent corrosion.

Sunshade is nebulized surface aluminum of 0.3mm thickness.

Application: Officer, Meeting room, Building, Department shop, Library etc.

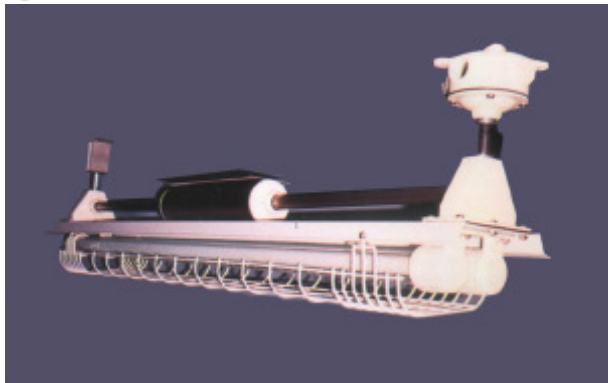
Characteristic: High efficiency light steel frame lighting.

安裝方式	Type	For lamps	Ballast	Dimension (L×W×H)
完全吸頂	SEYC-1135	T5→TL5 54W×2	Electronic ballast	1330×100×147mm
吸頂或吊管	SEYC-1135	T5→TL5 28W×2	Electronic ballast	1330×100×273mm
完全吸頂	SEYC-1135	T5→TL5 54W×2	Electronic ballast	1330×100×147mm
吸頂或吊管	SEYC-1135	T5→TL5 28W×2	Electronic ballast	1330×100×273mm

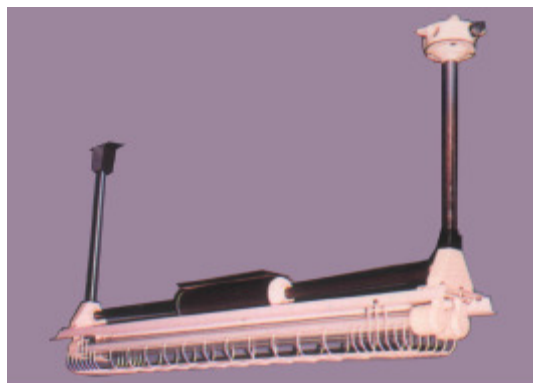
## Particular lighting series : lamps

## 特殊照明燈具系列：防爆燈具

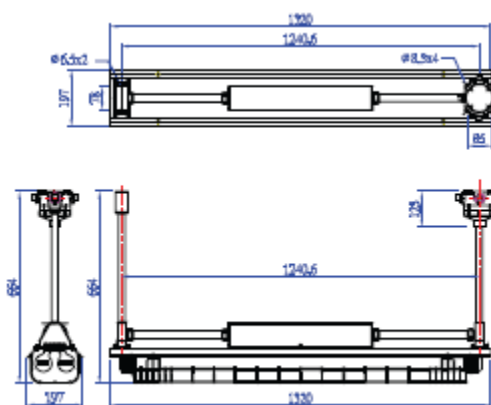
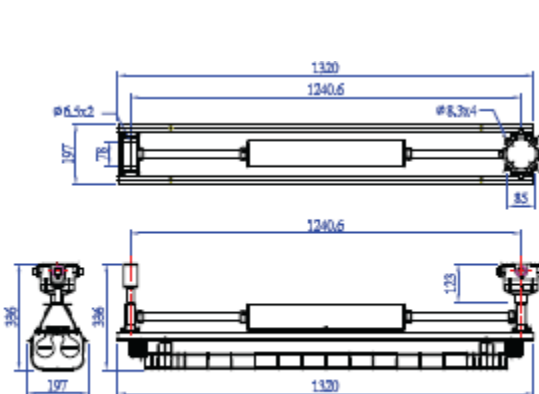
◎SEYC-1137



◎SEYC-2137



Lighting frame dimensions (燈具尺寸示意圖):



◎SEYC-1137 Direction (說明):

For lamps: T5 TL5 54W, 28W \*2

Material: Mild steel sheet of 0.6mm thickness. The metalwork shall be rust inhibited to prevent corrosion.

Sunshade is nebulized surface aluminum of 0.3mm thickness.

Application: Officer, Meeting room, Building, Department shop, Library etc.

Characteristic: High efficiency light steel frame lighting.

安裝方式	Type	For lamps	Ballast	Dimension (L×W×H)
	SEYC-1137	T5→TL5 54W×2	Electronic ballast	1320×197×336mm
	SEYC-1137	T5→TL5 28W×2	Electronic ballast	1320×197×336mm

◎SEYC-2137 Direction (說明):

For lamps: T5 TL5 54W, 28W \*2

Material: Mild steel sheet of 0.6mm thickness. The metalwork shall be rust inhibited to prevent corrosion.

Sunshade is nebulized surface aluminum of 0.3mm thickness.

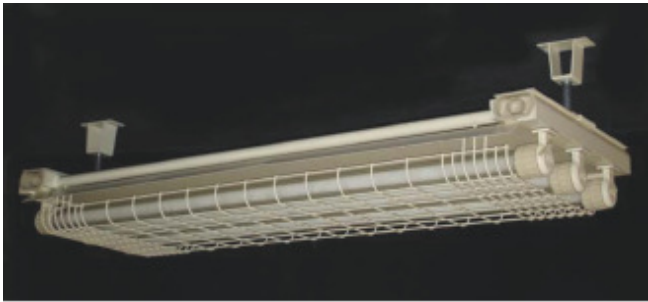
Application: Officer, Meeting room, Building, Department shop, Library etc.

Characteristic: High efficiency light steel frame lighting.

安裝方式	Type	For lamps	Ballast	Dimension (L×W×H)
	SEYC-2137	T5→TL5 54W×2	Electronic ballast	1320×197×664mm
	SEYC-2137	T5→TL5 28W×2	Electronic ballast	1320×197×664mm

**Particular lighting series : lamps**  
**特殊照明燈具系列：防爆燈具**

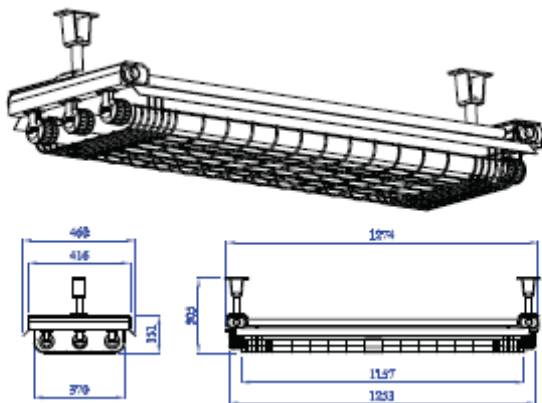
◎SEYC-1134-3



◎AEXSYFL 31242-422



**Lighting frame dimensions (燈具尺寸示意圖):**



**◎SEYC-1134-3 Direction (說明):**

For lamps: T5 TL5 54W, 28W \*3

Material: **Mild steel sheet of 0.6mm thickness. The metalwork shall be rust inhibited to prevent corrosion.**  
**Sunshade is nebulized surface aluminum of 0.3mm thickness.**

Application: **Officer, Meeting room, Building, Department shop, Library etc.**

Characteristic: **High efficiency light steel frame lighting.**

安裝方式	Type	For lamps	Ballast	Dimension (L×W×H)
	SEYC-1134-3	T5→TL5 54W×3	Electronic ballast	1330×100×147mm
	SEYC-1134-3	T5→TL5 28W×3	Electronic ballast	1330×100×273mm

**◎AEXSYFL 31242-422 Direction (說明):**

For lamps: T5 TL5 54W, 28W \*2

Material: **Mild steel sheet of 0.6mm thickness. The metalwork shall be rust inhibited to prevent corrosion.**  
**Sunshade is nebulized surface aluminum of 0.3mm thickness.**

Application: **Officer, Meeting room, Building, Department shop, Library etc.**

Characteristic: **High efficiency light steel frame lighting.**

安裝方式	Type	For lamps	Ballast	Dimension (L×W×H)
	AEXSYFL31242-422	T5→TL5 54W×2	Electronic ballast	1286×169×96mm
	AEXSYFL31242-422	T5→TL5 28W×2	Electronic ballast	1286×169×96mm
	AEXSYFL31242-222	T5→TL5 54W×2	Electronic ballast	675×169×96mm
	AEXSYFL31242-222	T5→TL5 28W×2	Electronic ballast	675×169×96mm