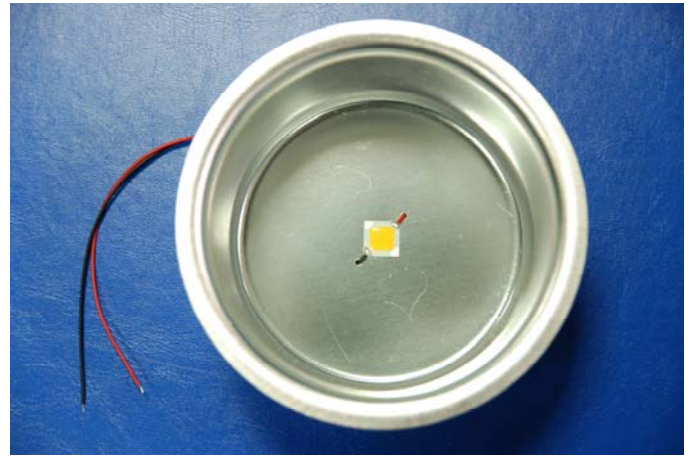
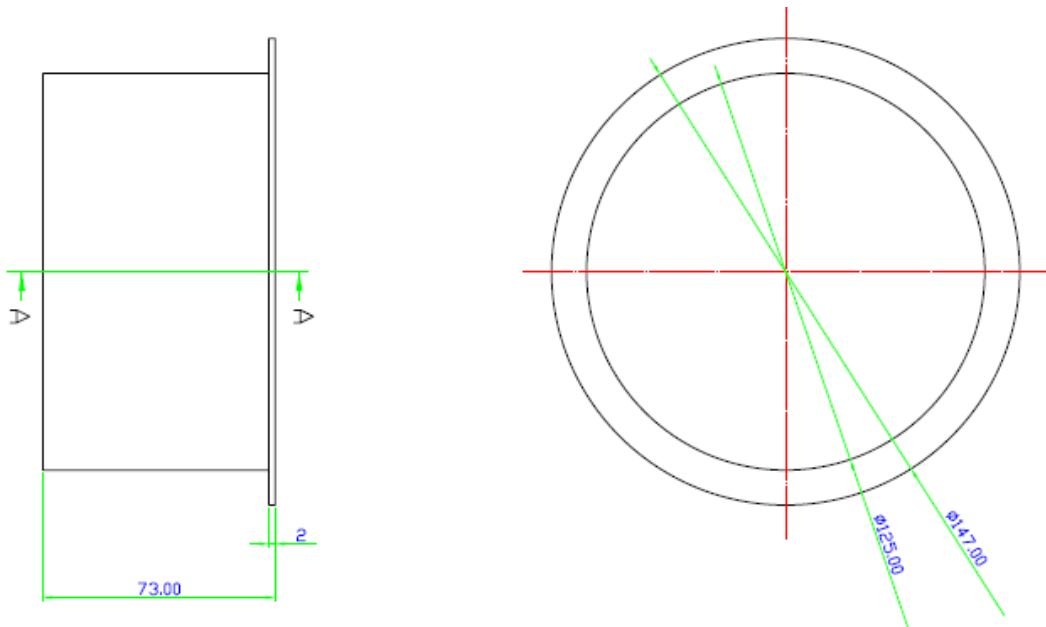


# Downlight (Vertical)



## Lighting frame dimensions (燈具尺寸示意圖):



- Cu-Al bonding process
- Chip-Cu slug Eutectic process
- 1.6 Amp current
- 16pcs 45mil X 45mil chips
- Total 900lm
- transformer inside
- Color : white 、 red 、 blue 、 green